

FOR RIGHT SIDE  
 COTE DROIT  
 COSTADO DERECHO  
 RECHTE SEITE  
 LATO DESTRO

1/2" (1.3 CM) SEAM

FOR LEFT SIDE

This neckline is 1" (2.5 CM) below base of neck  
 Cette ligne d'encolure est au-dessous de la base du cou  
 Este escote queda por debajo de la base del cuello  
 Diese Linie ist 1" unterhalb des normalen Halsausschnittes  
 Questa scollatura è a 1" di distanza dalla base del collo

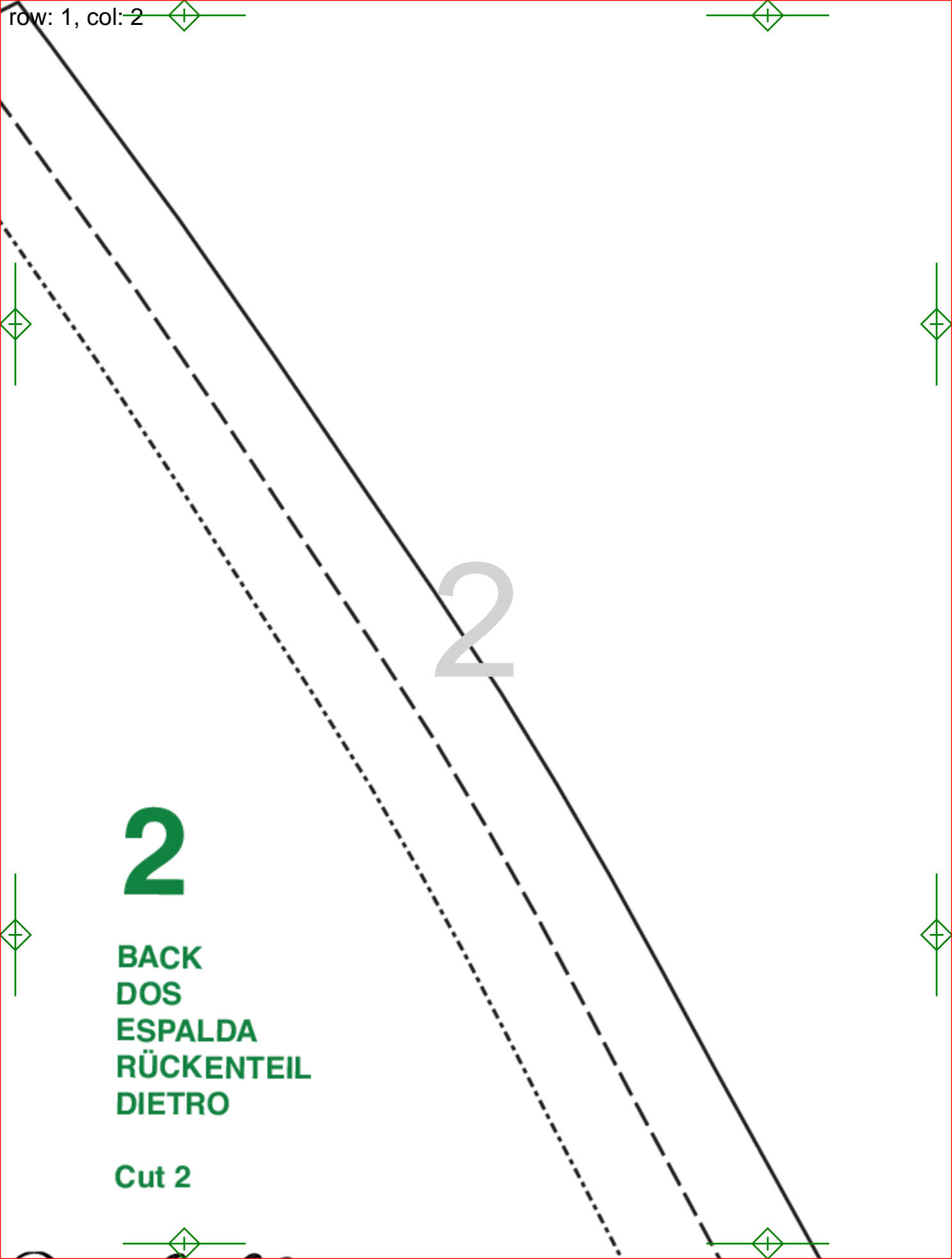
FOR RIGHT SIDE

FOR LEFT SIDE  
 POUR COTE GAUCHE  
 PARA COSTADO IZQUIERDO  
 FÜR LINKE SEITE  
 PER LATO SINISTRO

CENT

GRAIN

row: 1, col: 2



2

2

BACK  
DOS  
ESPALDA  
RÜCKENTEIL  
DIETRO

Cut 2

row: 1, col: 3



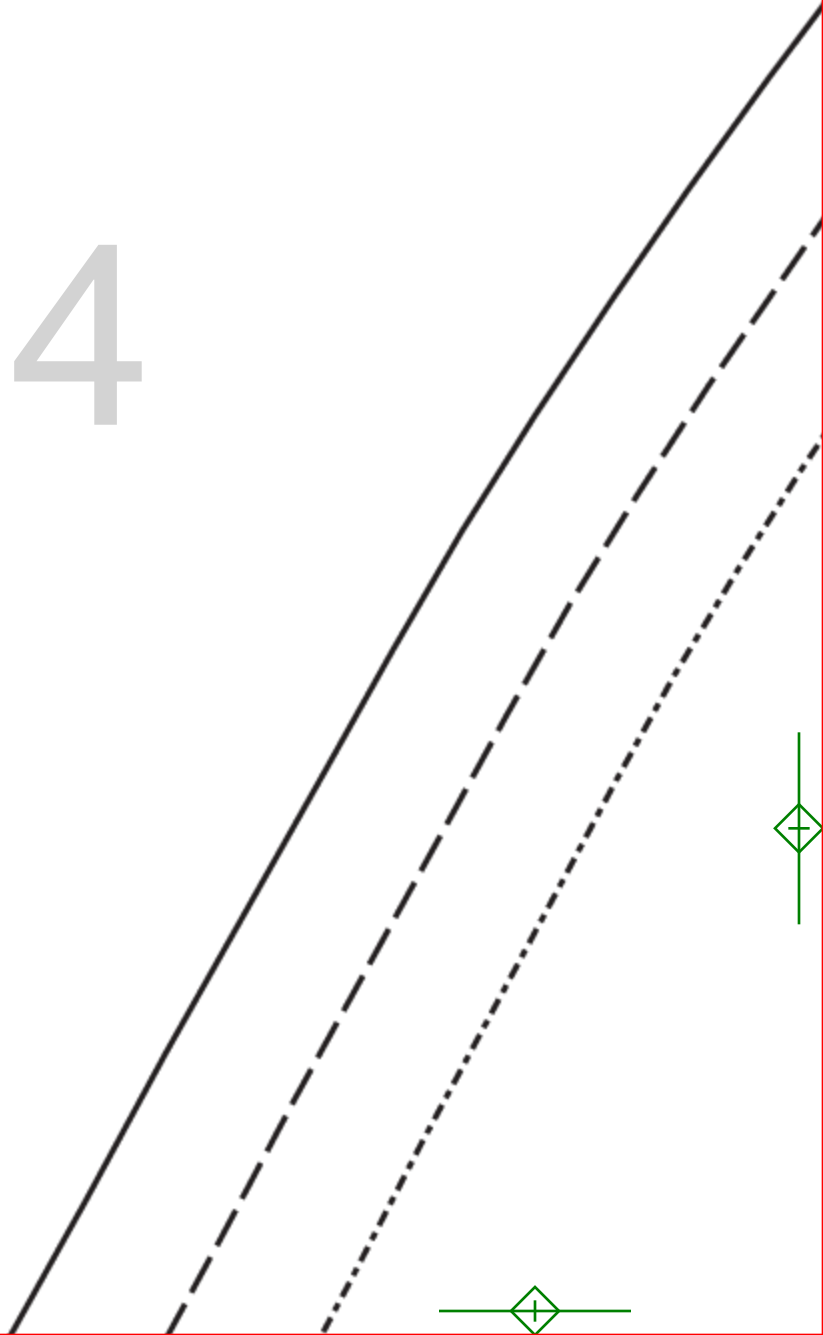
3

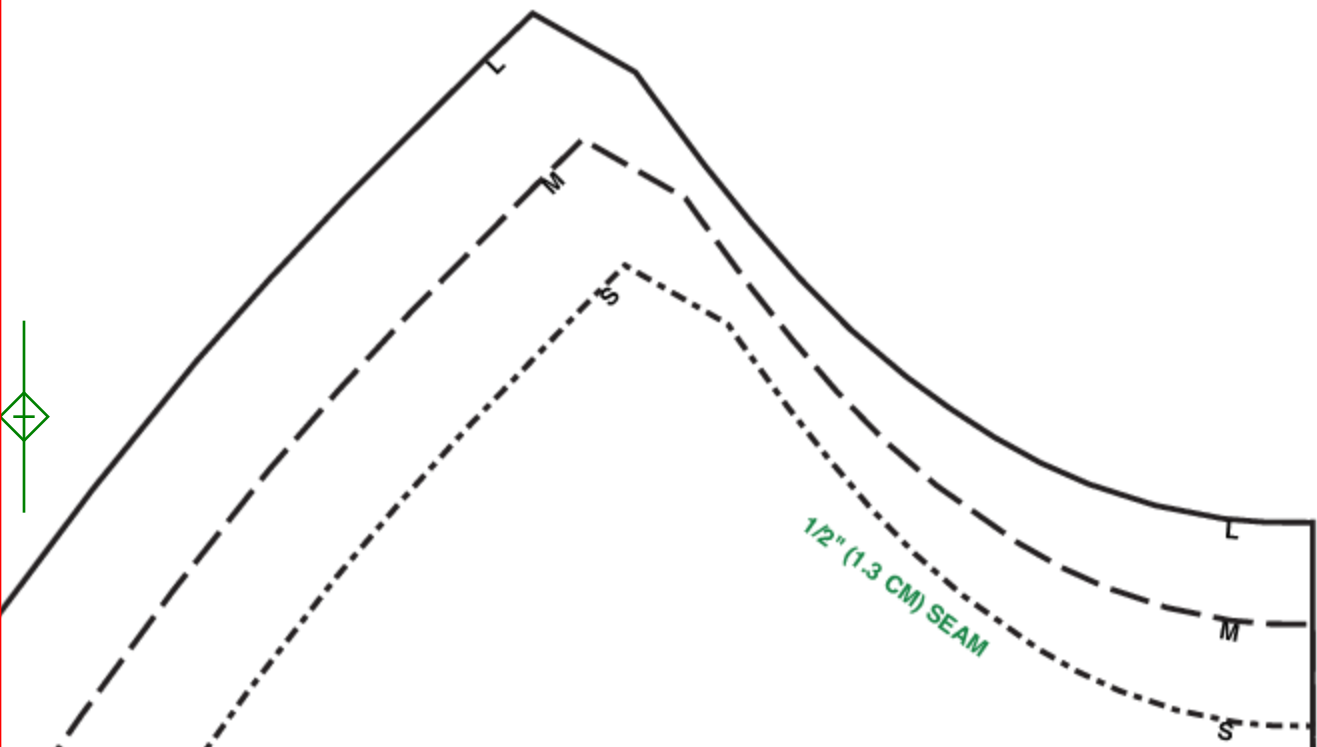


row: 1, col: 4



4





5

**1**

FRONT  
DEVANT  
FRENTE  
VORDERTEIL  
DAVANTI

Cut 1 on fold



FOLDLINE

ENTER BACK

RAINLINE

L

M

S

FOR RIGHT SIDE

6

L

M

S

FOR LEFT SIDE

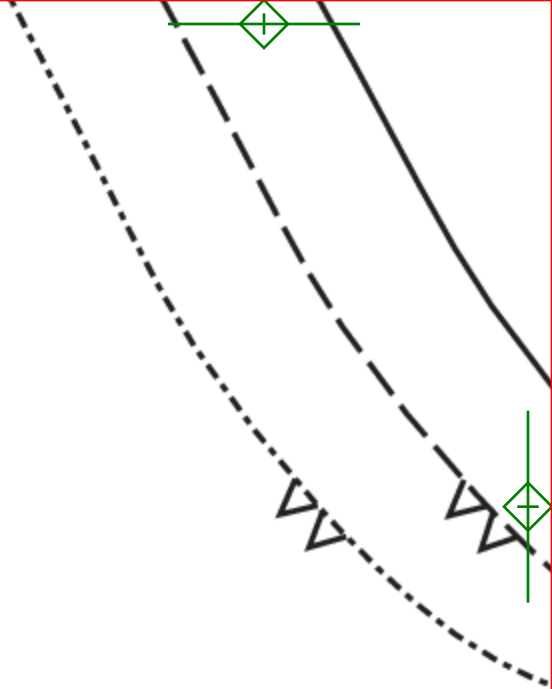
WAISTLINE



# McCall's

## M8170

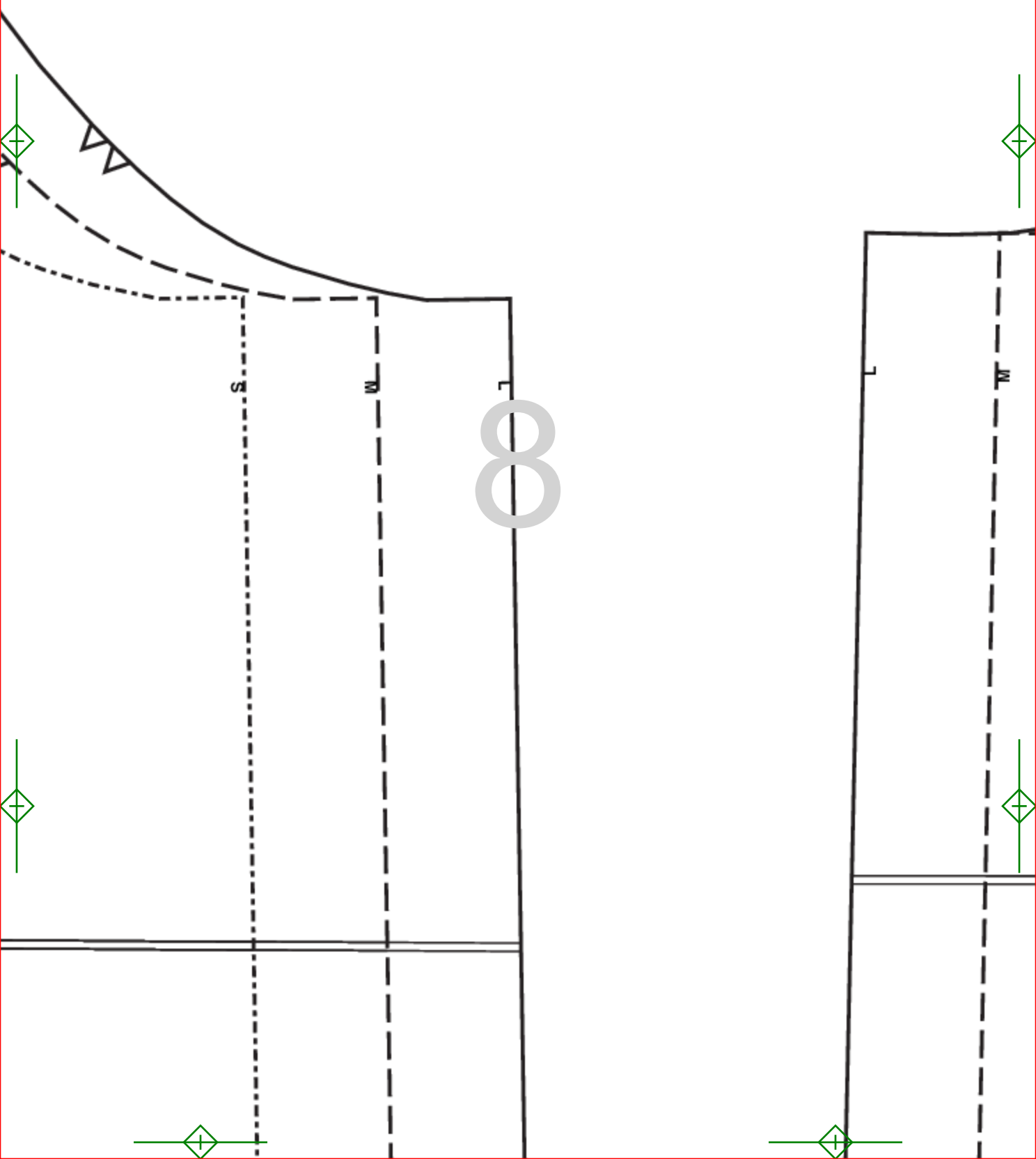
Men's Sizes A (S-M-L)



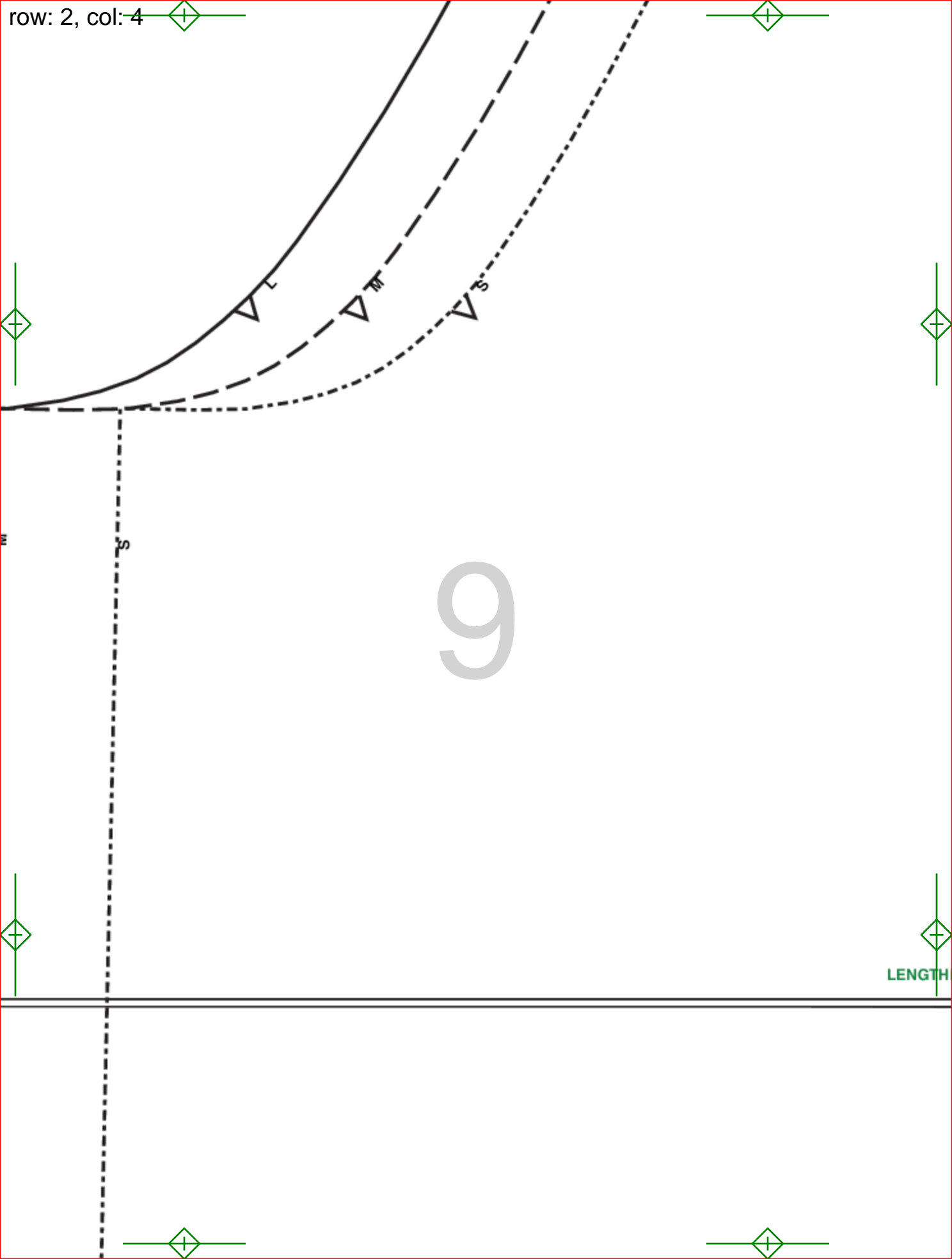
# 7

LENGTHEN OR SHORTEN HERE





row: 2, col: 4



LENGTH

# McCall's

@2020 a CSS Industries, Inc. Brand  
All Rights Reserved  
Printed in U.S.A.

## M 8170

Men's Sizes A (S-M-L)

CENTER FRONT ON FOLD



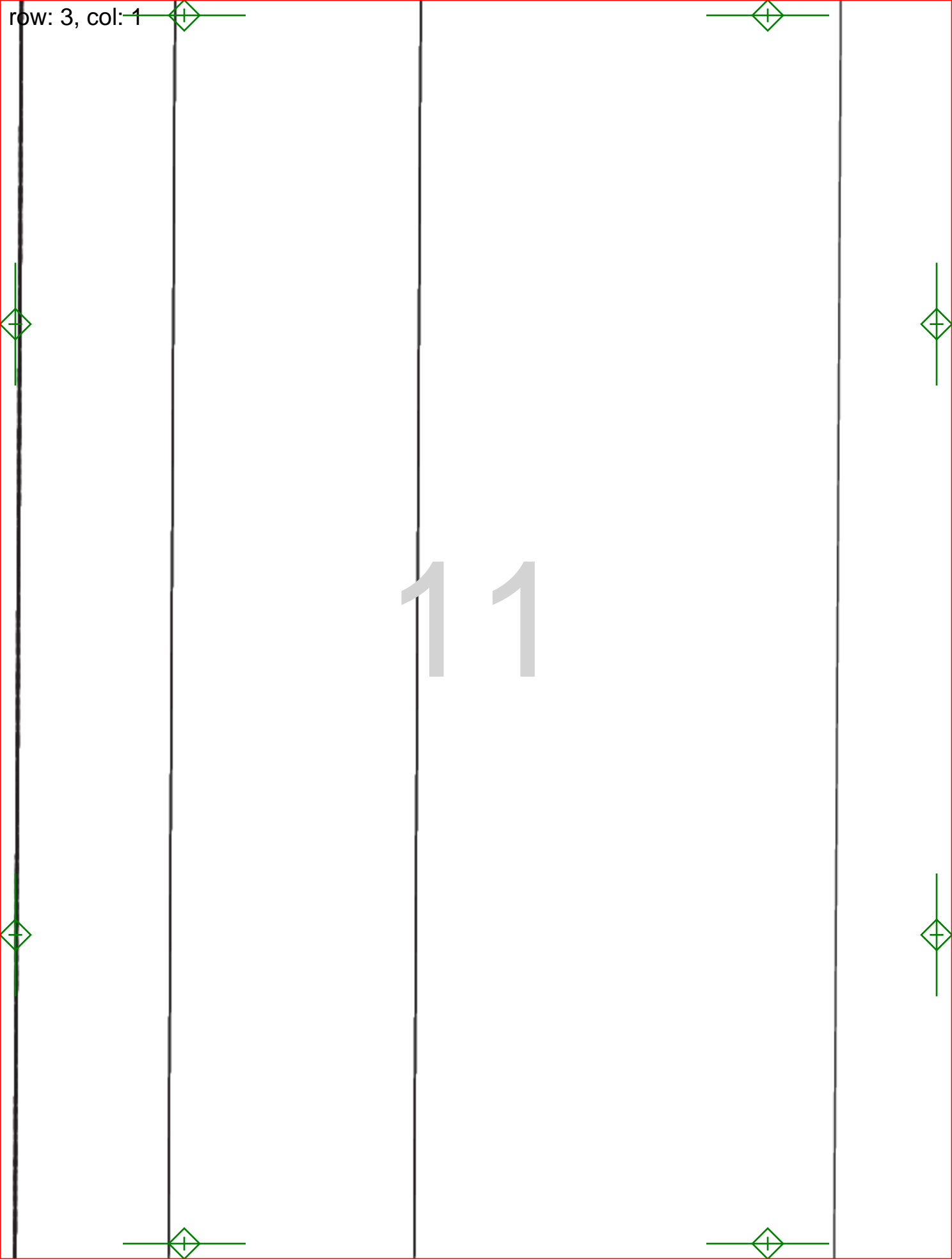
- S 51" (130CM)
- M 55" (140CM)
- L 59" (151CM)

# 10

LENGTHEN OR SHORTEN HERE

WAISTLINE

row: 3, col: 1

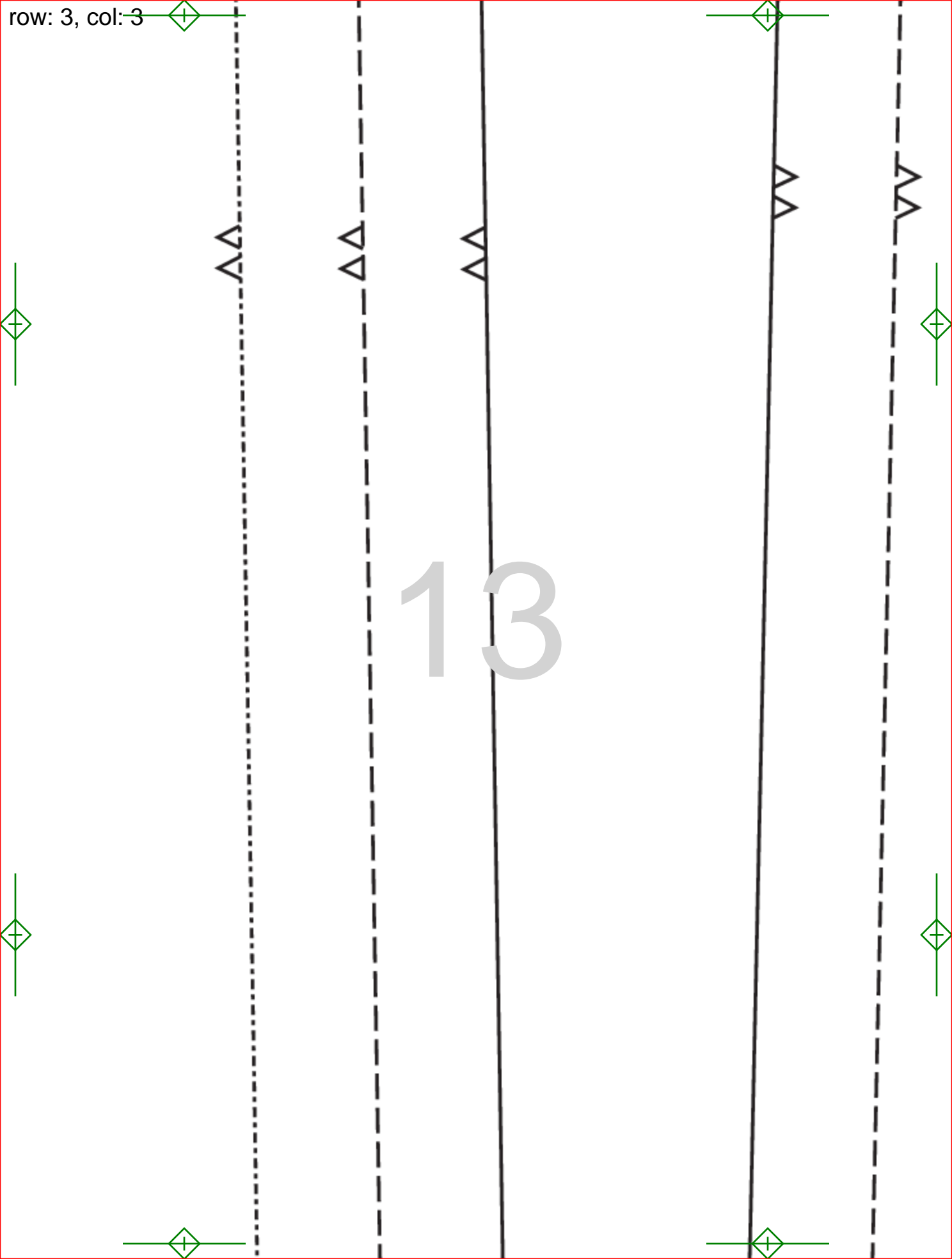




12



row: 3, col: 3



13

row: 3, col: 4



14



row: 3, col: 5



15





row: 4, col: 1

16





17



row: 4, col: 3



18



row: 4, col: 4



19





20



row: 5, col: 1



21



HEM



22



row: 5, col: 3



S

M

L

L

M

S

23





24

5

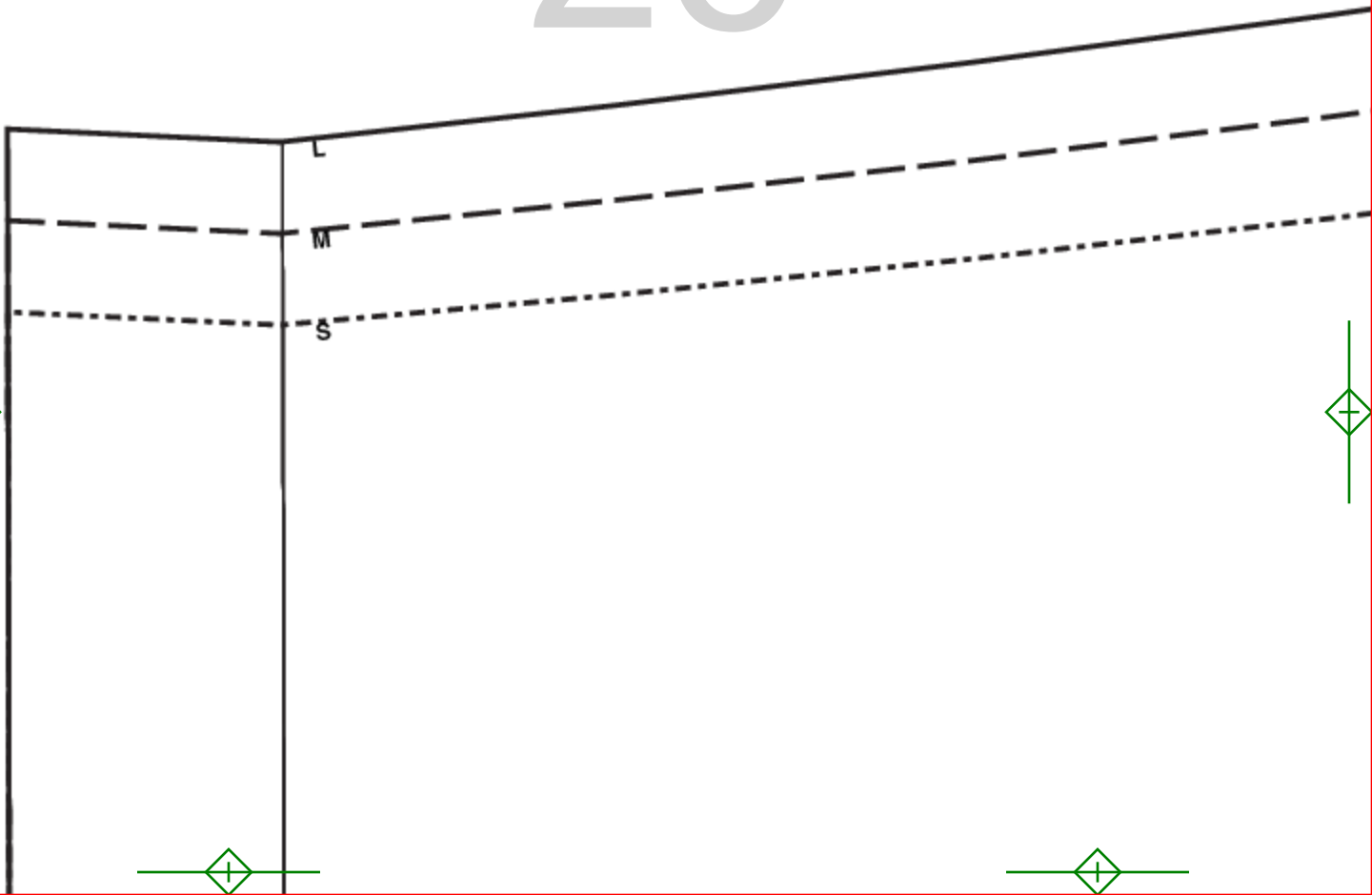
HEM 1 1/4" (3.2 CM)



25

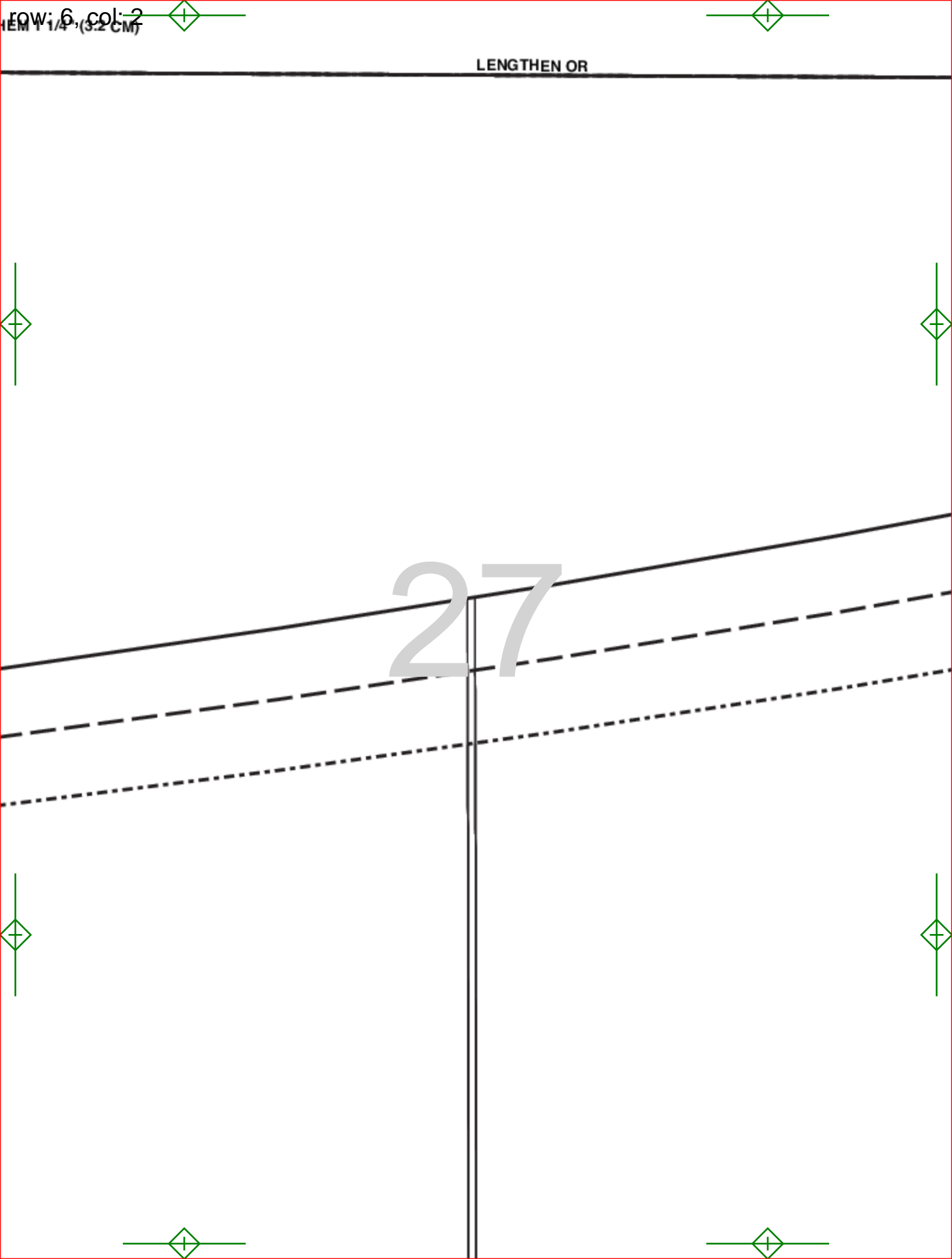


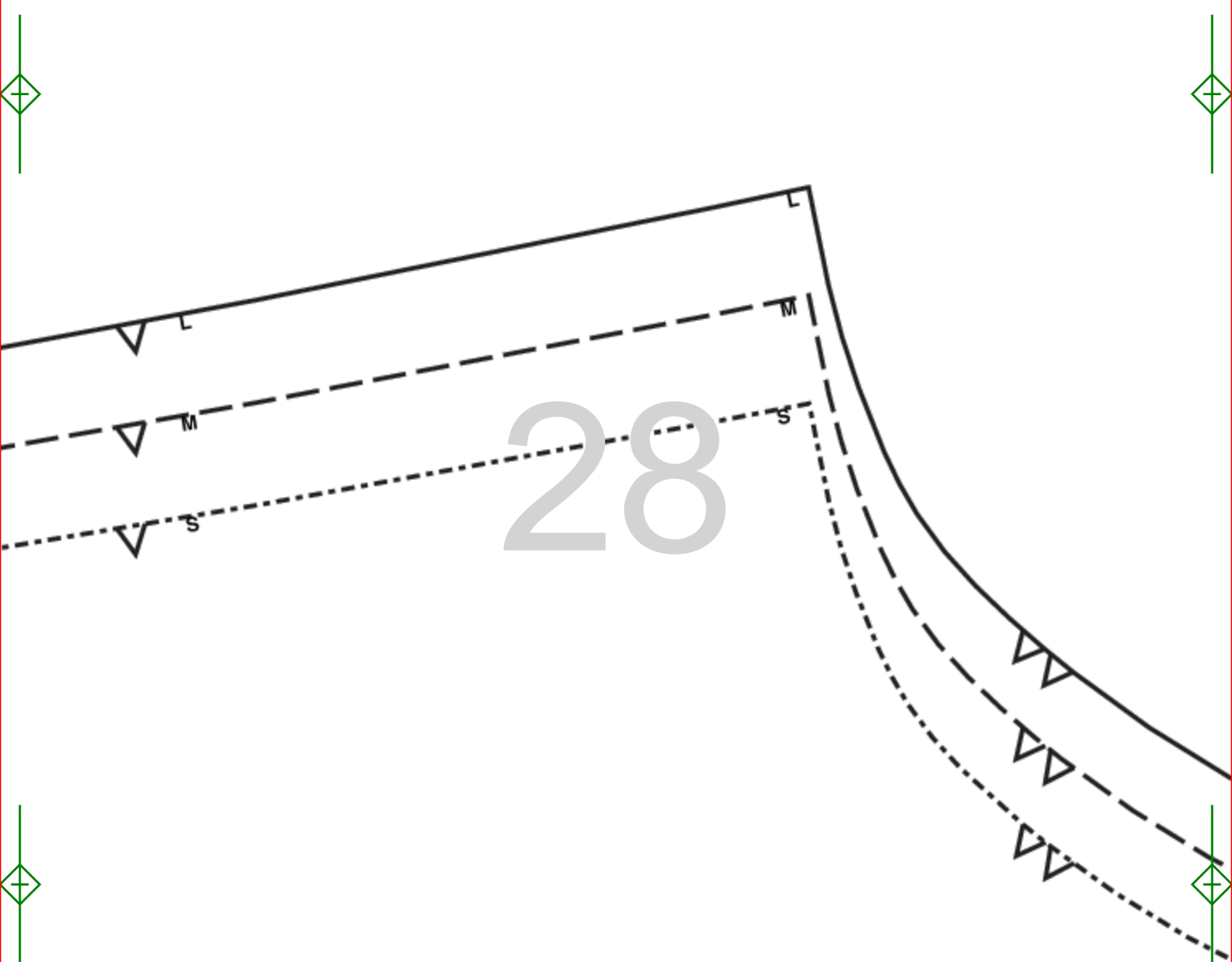
26



LENGTHEN OR

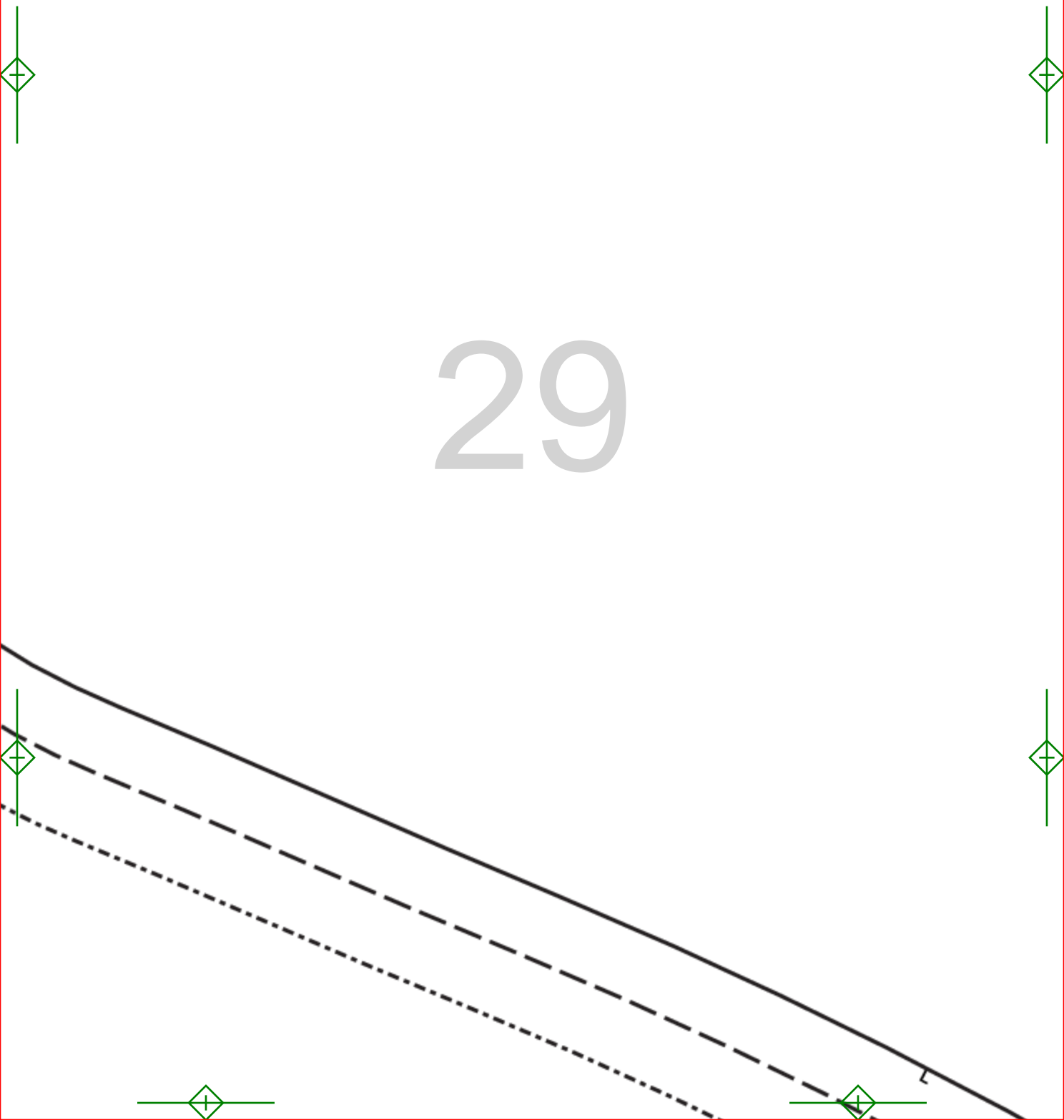
27





28

29



30



row: 7, col: 1



FOLDLINE

31








LENGTHEN OR SHORTEN HERE

32



33

S	21"	53CM)
M	21"	(54CM)
L	22"	(56CM)



ARMEL  
MANICA

Cut 2

McCall's

M 8170

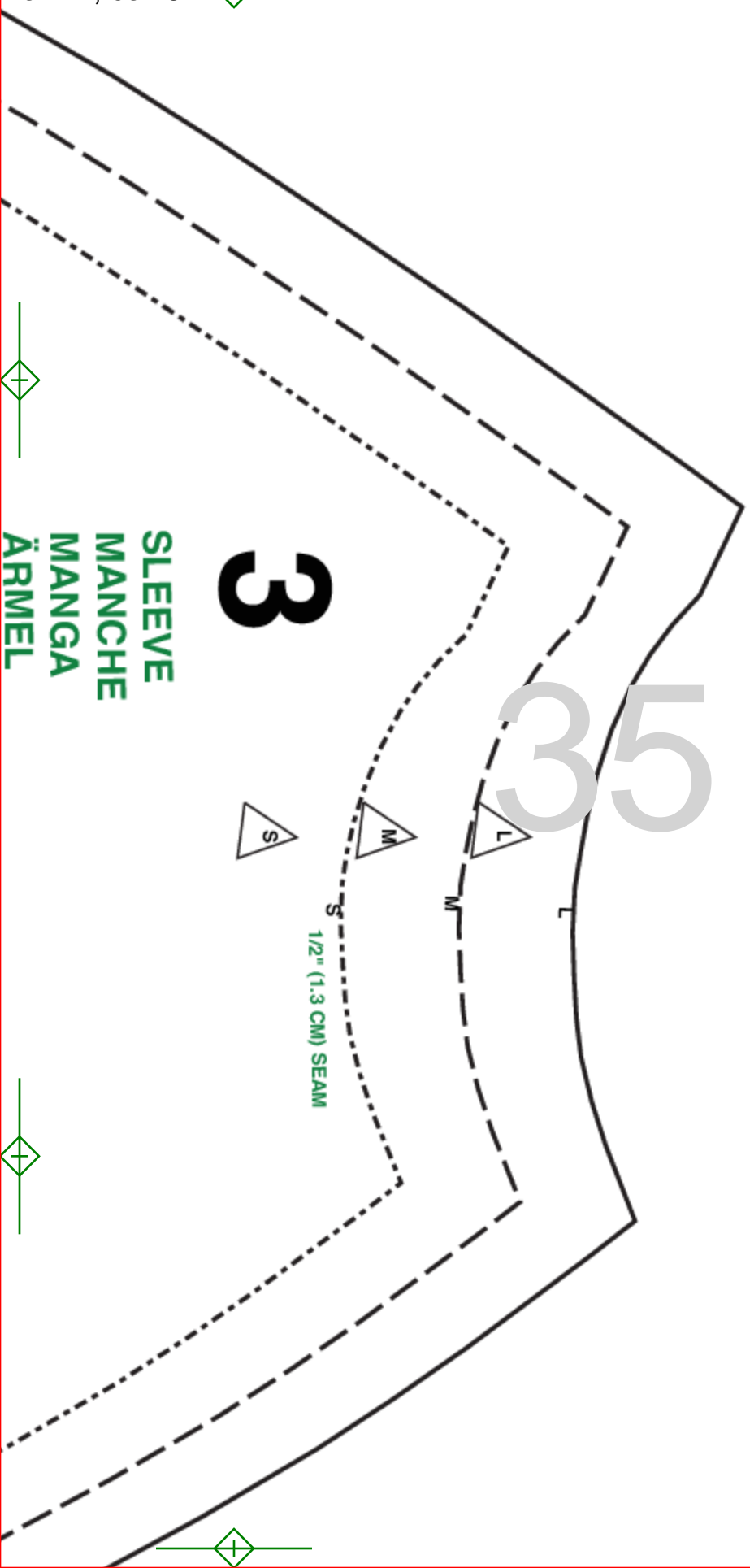
Men's Sizes A (S-M-L)

34

GRAINLINE

M  
S





**3**  
SLEEVE  
MANCHE  
MANGA  
ÄRMEL

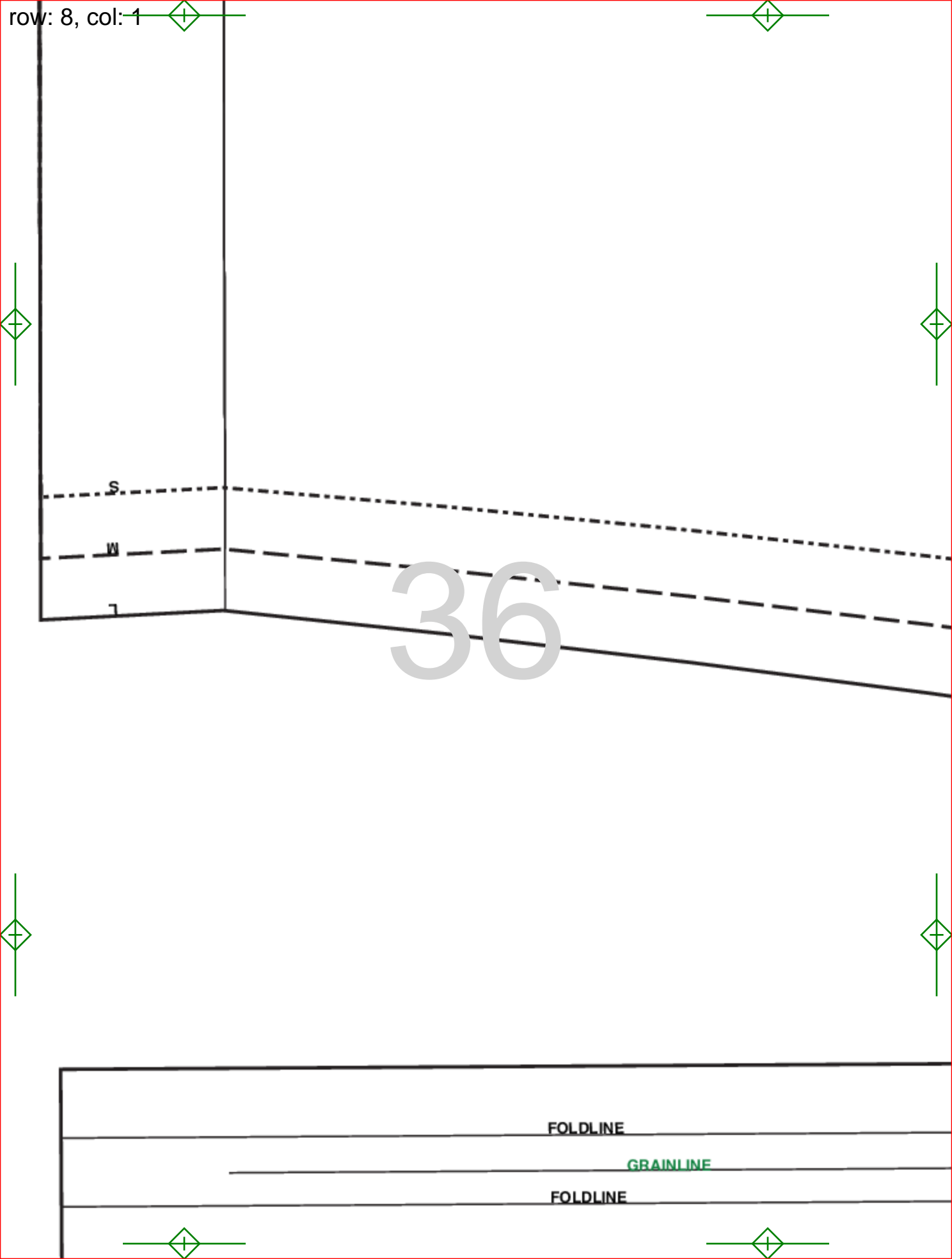
35

1/2" (1.3 CM) SEAM

S

M

L

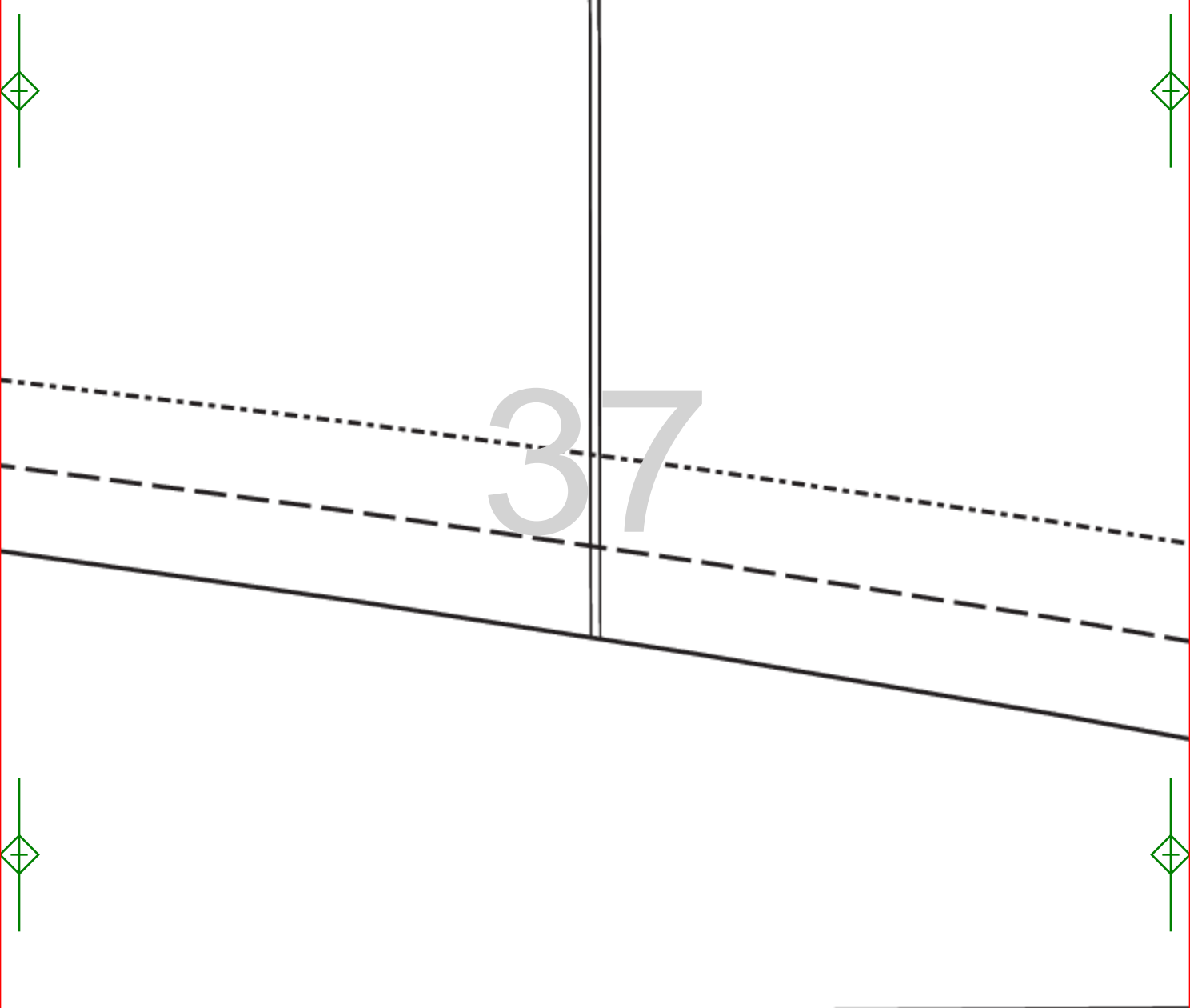


36

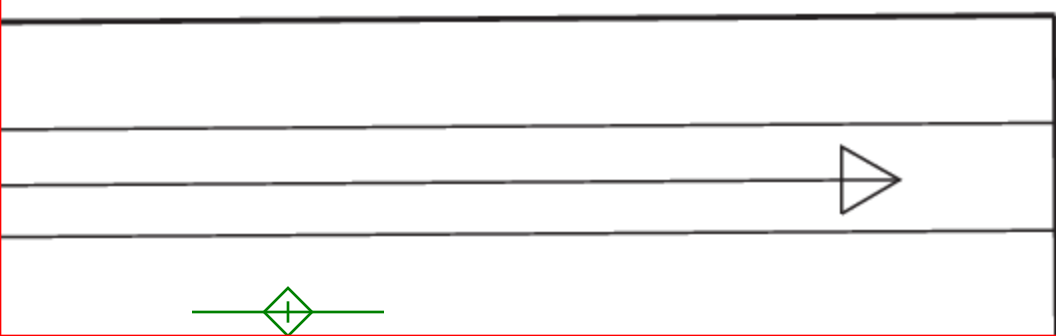
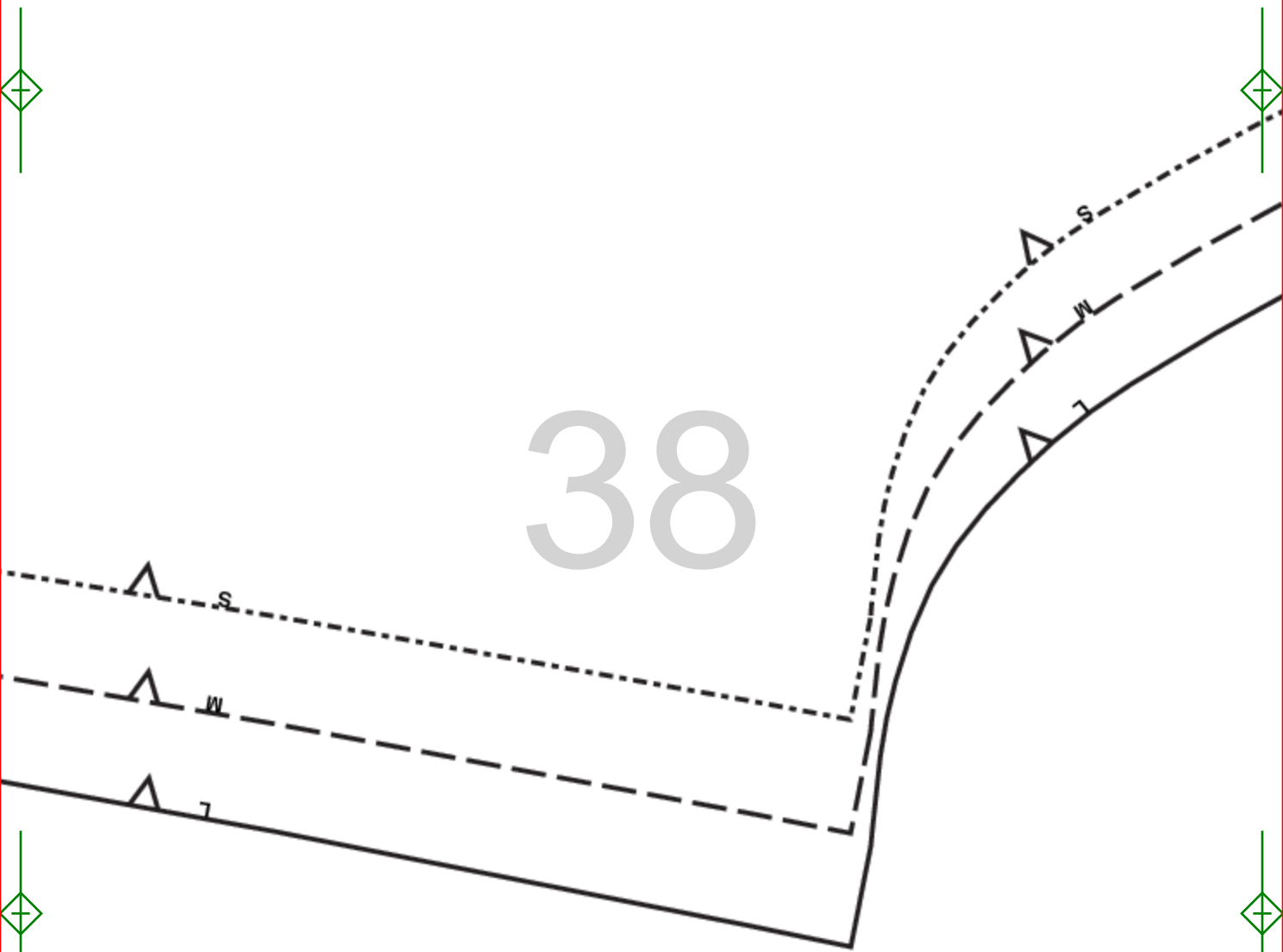
FOLDLINE

GRAINLINE

FOLDLINE



38



row: 8, col: 4



39





40





4

GUIDE FOR ELASTIC  
 GUIDE POUR ELASTIQUE  
 GUIA PARA EL ELASTICO  
 MARKIERUNGSBAND (GUMMIBAND)  
 GUIDA PER L'ELASTICO



Cut 2

41

row: 9 col: 2

EXTR. ENF. DE LA CORBATA  
ENNE  
PUNTE CRAVATTA

McCall's

Cut 6

M 8170

Men's Sizes A (S-M-L)

McCall's

M 8170

Men's Sizes A (S-M-L)

42



43



row: 9, col: 4



44





45

